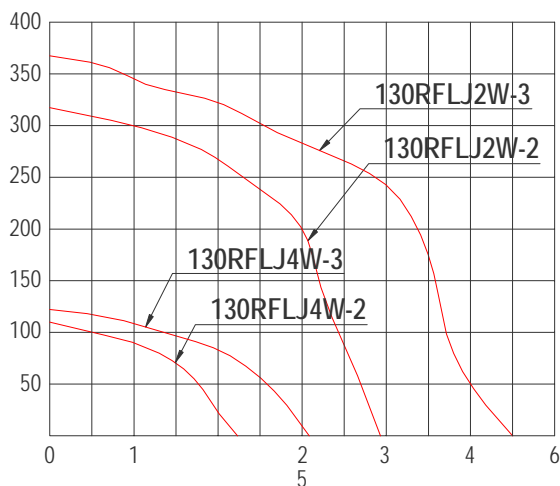
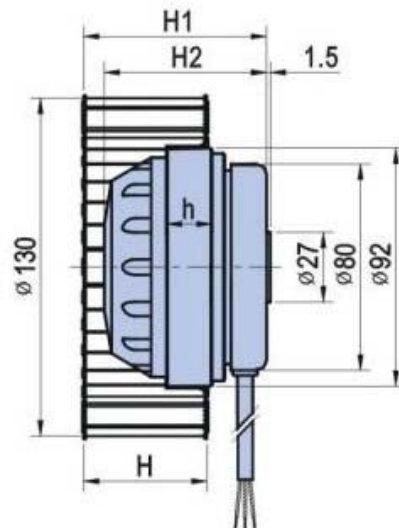
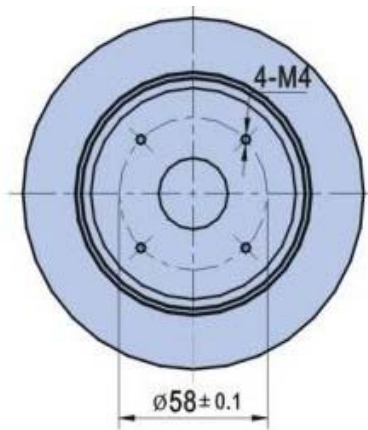
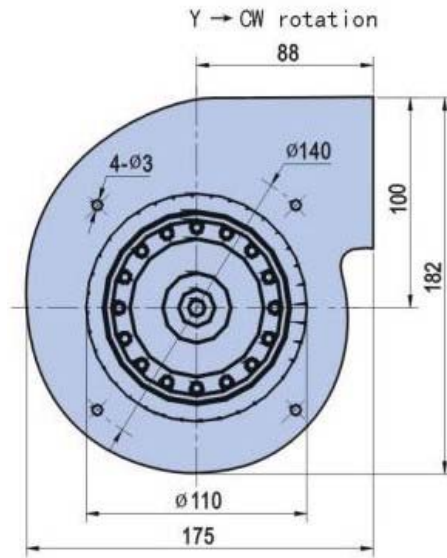
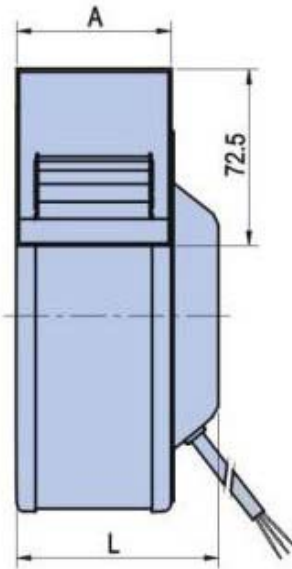




130RFLJ□W

Item No.	Voltage	Phase	Frequency	Input Current	Input Power	Speed	Air Volume	Static Pressure	Noise	Weight	Wiring Diag
	V		Hz	A	W	r/min	m3/min	Pa	dB(A)	kg	
130RFLJ4WYD3-2	110	1	50	0.30	30	1350	2.20	100	60	2.3	B
130RFLJ4WYD4-2	220	1	50	0.15	30	1350	2.20	100	60	2.3	B
130RFLJ4WYD5-2	380	1	50	0.10	30	1350	2.20	100	60	2.3	B
130RFLJ2WYS5-2	380	3	50	0.09	30	1350	2.20	100	60	2.3	C
130RFLJ2WYD3-2	110	1	50	0.80	85	2200	3.90	318	70	2.3	A
130RFLJ2WYD4-2	220	1	50	0.40	85	2200	3.60	280	70	2.3	A
130RFLJ2WYD5-2	380	1	50	0.20	85	2200	3.60	280	70	2.3	A
130RFLJ2WYS5-2	380	3	50	0.20	85	2200	3.60	280	70	2.3	C
130RFLJ4WYD3-3	110	1	50	0.60	45	1350	2.90	120	63	2.5	B
130RFLJ4WYD4-3	220	1	50	0.30	45	1350	2.90	120	63	2.5	B
130RFLJ4WYD5-3	380	1	50	0.20	45	1350	2.90	120	63	2.5	B
130RFLJ4WYS5-3	380	3	50	0.18	45	1350	2.90	120	63	2.5	C
130RFLJ2WYD3-3	110	1	50	1.10	120	2600	5.50	350	72	2.5	A
130RFLJ2WYD4-3	220	1	50	0.70	140	2600	6.26	380	72	2.5	A
130RFLJ2WYD5-3	380	1	50	0.35	130	2600	5.50	350	72	2.5	A
130RFLJ2WYS5-3	380	3	50	0.30	120	2600	5.50	350	72	2.5	C





TYPE	A		L	H	H1	H2	h
130RFLJ-2	65	85	48	75	67	17	
130RFLJ-3	88	108	71	98	90	32	