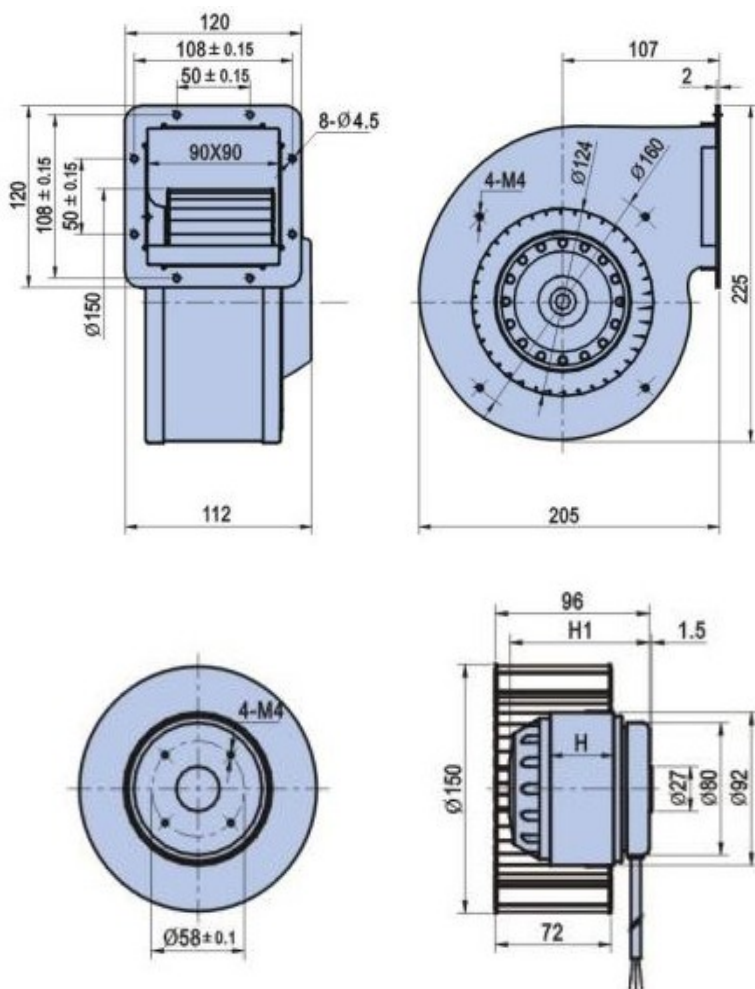




150RFLJ□W

Item No.	Voltage	Phase	Frequency	Input Current	Input Power	Speed	Air Volume	Static Pressure	Noise	Weight	Wiring Diagram
	V		Hz	A	W	r/min	m3/min	Pa	dB(A)	kg	
150RFLJ4NYD3-2	110	1	50	0.80	70	1400	5.50	140	60	6.0	A
150RFLJ4NYD4-2	220	1	50	0.40	70	1400	5.50	140	60	6.0	A
150RFLJ4NYD5-2	380	1	50	0.23	70	1400	5.50	140	60	6.0	A
150RFLJ4NYS5-2	380	3	50	0.20	70	1400	5.50	140	60	6.0	C
150RFLJ2NYD3-2	110	1	50	3.20	330	2700	11.00	460	76	6.0	A
150RFLJ2NYD4-2	220	1	50	1.60	330	2700	11.00	460	76	6.0	A
150RFLJ2NYD5-2	380	1	50	0.95	330	2700	11.00	460	76	6.0	A
150RFLJ2NYS5-2	380	3	50	0.60	330	2700	11.00	460	76	6.0	C



Y→CW

TYPE	H	H1
150RFLJ4	35	82
150RFLJ2	40.5	87

