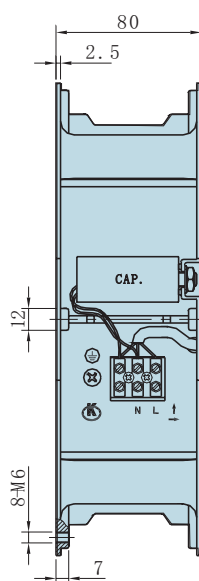
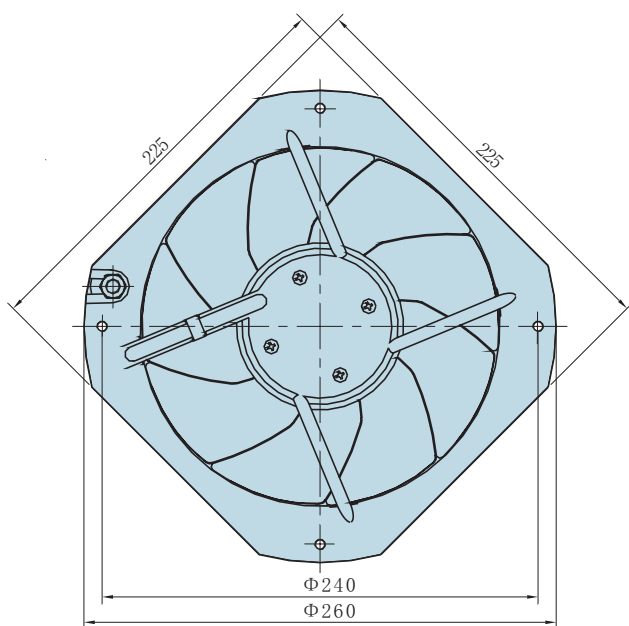


# AC AXIAL FAN WITH EXTERNAL ROTOR



## 200RFZY (W)

Type	Voltage V	Phase	Frequency Hz	Input current A	Input power W	Speed r/min	Air volume m <sup>3</sup> /min	Static pressure Pa	Noise dB (A)	Capacitor μF/V	Weight Kg	Wiring diagram
200RFZY2WZD3-2F	110	1	50	0.70	75	2600	15.3	165	60	8.0/250	2.5	A
200RFZY2WZD4-2F	220	1	50	0.35	75	2600	15.3	165	60	2.0/500	2.5	A
200RFZY2WZD5-2F	380	1	50	0.25	75	2600	15.3	165	60	1.5/500	2.5	B
200RFZY2WZS5-2F	380	3	50	0.20	75	2600	15.3	165	60		2.5	C



- \* External rotor, iron blade
- \* High air flow, low noise
- \* Low power consumption, high reliability
- \* Long life time, easy mounting
- \* Insulation Clasee: F

