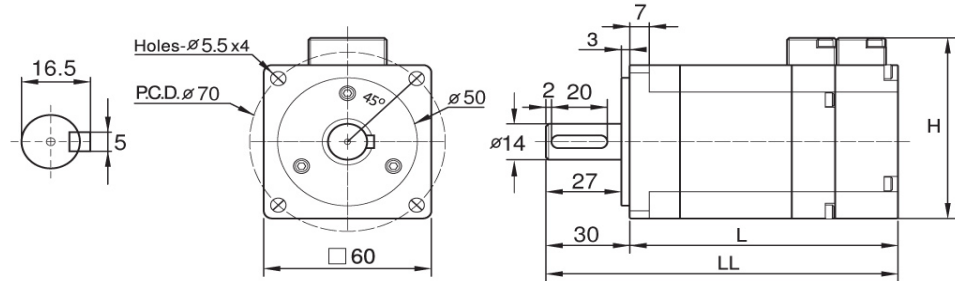


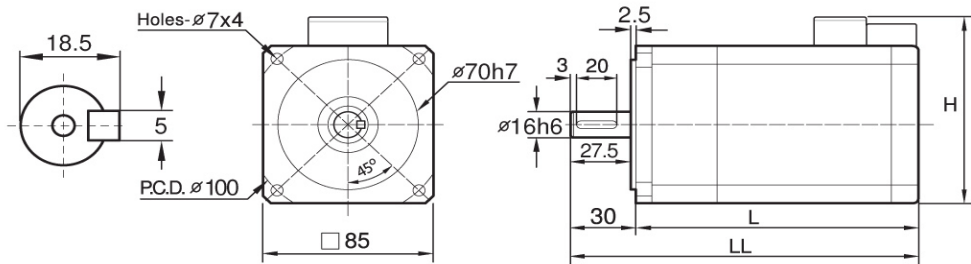
# Brushless DC Motor

## HIGH TORQUE DESIGN, ECONOMIC PACKAGE

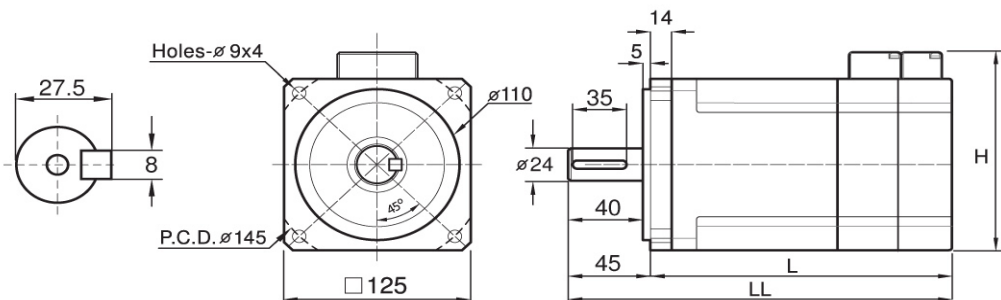
- \* High power density with low overall dimensions.
- \* Hight overload capability.
- \* Low moment of rotor inertia, perform very high dynamic response.
- \* Low weight
- \* Sinusoidal B.D.M.F.
- \* Low cogging torque.
- \* High accuracy.



MODEL	Rated OutPut	Rated Torque	Rated Speed	Motor Size			
	W	N.m	rpm	□	H	L	LL
REBL-60-A	200 w	0.62	3000	60	71	97	127
REBL-60-B	400 w	1.24	3000	60	71	115	145



MODEL	Rated Output	Rated Torque	Rated Speed	Motor Size			
	W	N.m	rpm	□	H	L	LL
REBL-85-S	200 w	0.62	3000	85	98	103	135.5
REBL-85-A	400 w	1.24	3000	85	98	123	155.5
REBL-85-B	750 w	2.35	3000	85	98	143	175.5
REBL-85-C	1000 w	3.11	3000	85	98	163	195.5
REBL-85-D	1500 w	4.67	3000	85	98	183	215.5



MODEL	Rated Output	Rated Torque	Rated Speed	Motor Size			
	W	N.m	rpm	□	H	L	LL
REBL-125-A	750 w	3.63	2000	125	190	146	191.0
REBL-125-B	1000 w	4.90	2000	125	190	166	211.0
REBL-125-C	1500 w	7.35	2000	125	190	191	236.0
REBL-125-D	2200 w	10.78	2000	125	190	226	271.0
REBL-125-D	3000 w	14.70	2000	125	190	266	311.0

## Rebeck Enterprise Co.,Ltd.

4F-1, #369, Chung Hsiao E. Rd., Sec. 5, Taipei, Taiwan 11061  
 Tel:+886 3 473 6362 Fax:+886 3 473 7078 www.rebeck-motor.com  
 E-mail: group.rebeck@msa.hinet.net