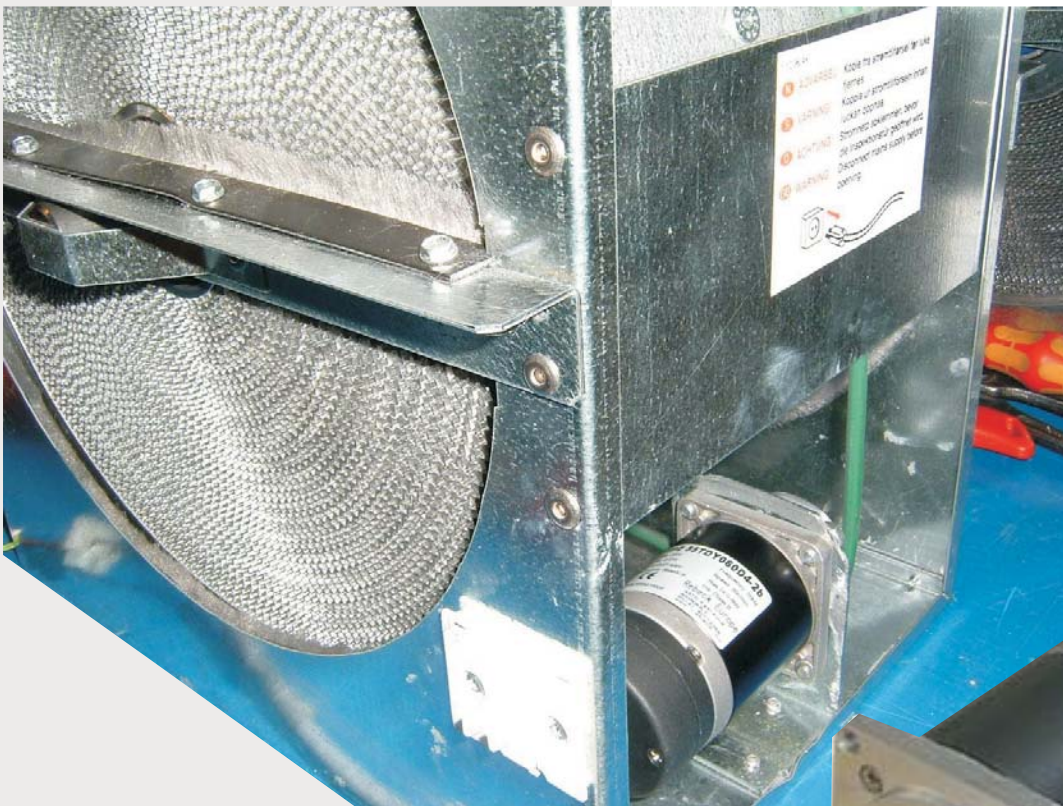


GOOD SOLUTION FOR RESIDENTIAL AIR HANDLING UNITS



MOTOR FOR ROTARY HEAT EXCHANGER



SOK' s low speed synchronous motor is designed to be used in rotary heat exchangers for residential air handling units. It has the following features:

1. To provide the constant output speed and torque regardless of fluctuation of the load
2. Can stop at any angle (there is no stepping angle like stepper motor)
3. It won't produce the impact current while starting and reversing
4. Can replace gear motor if there are strict requirements on noise and cost

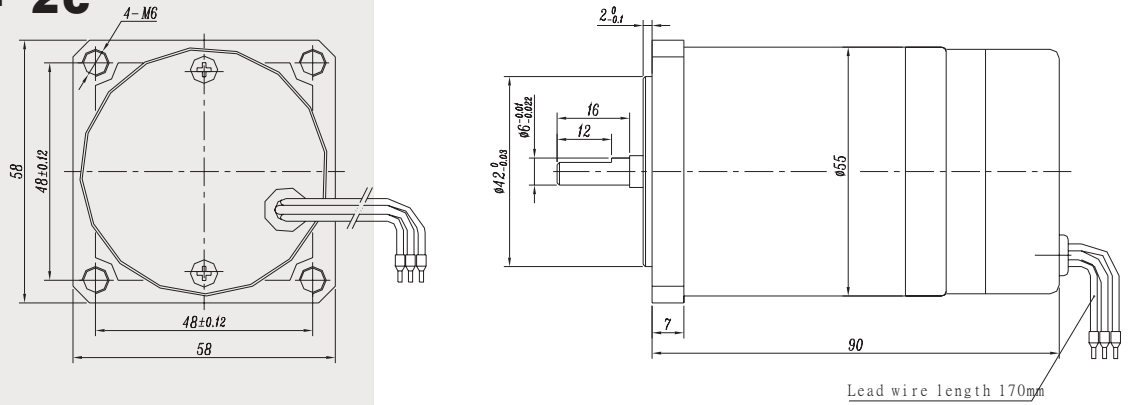
Constant output speed:
60RPM, 115RPM, 214RPM
WITHOUT GEAR HEAD

PRODUCT

NEWS 04/2008

Low Speed PM Synchronous Motor

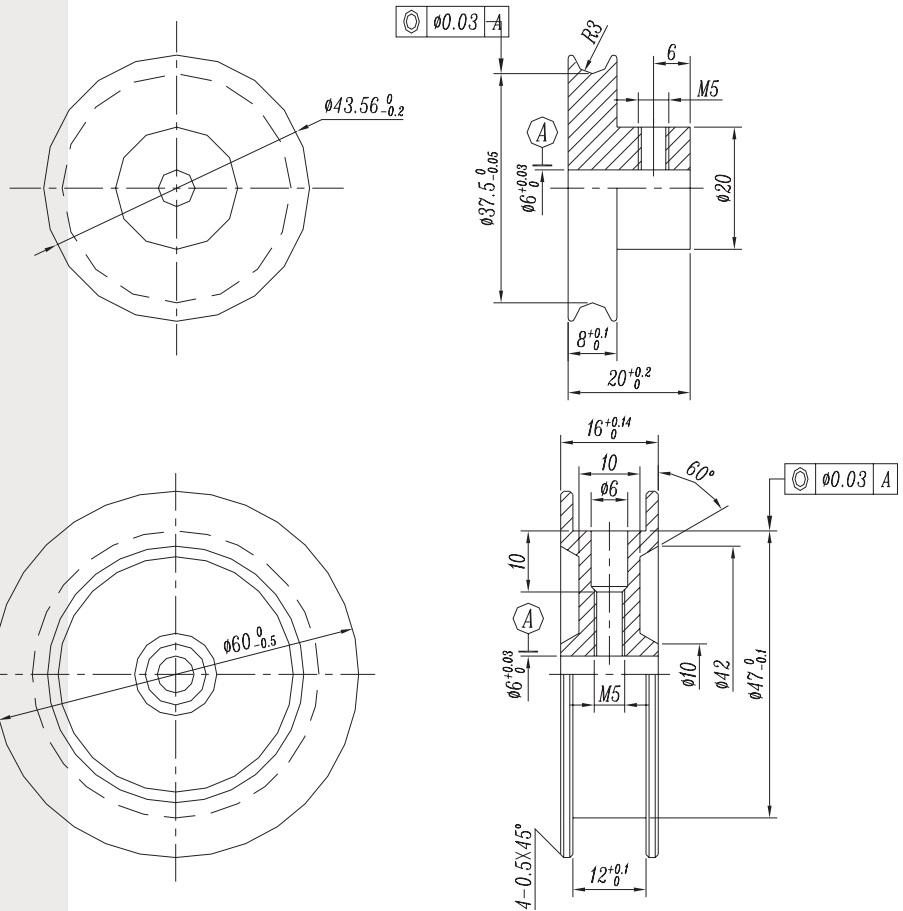
55TDY060D4-2c



Model	Voltage V	Phase	Frequency Hz	Speed RPM	Input current A	Input power W	Max. torque MN. m	Rated torque MN. m	Starting torque MN. m	Inertia load G. cm ²	Moment of inertia G. cm ²	Capacitor μF/V	Resistor Ω / W	Weight Kg
55TDY060D4-2c	230	1	50	60	0.07	14	360	320	180	600	160	0.33/630	1K/8	0.75

Belt Pulley

P/N: 20052



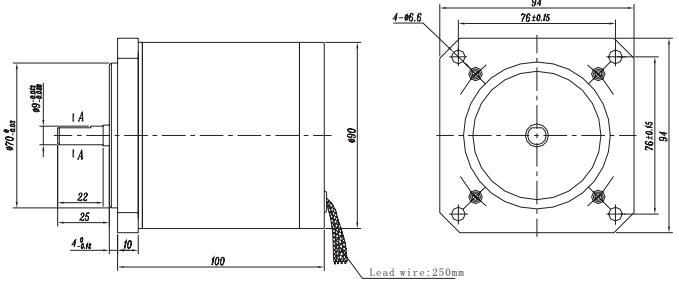
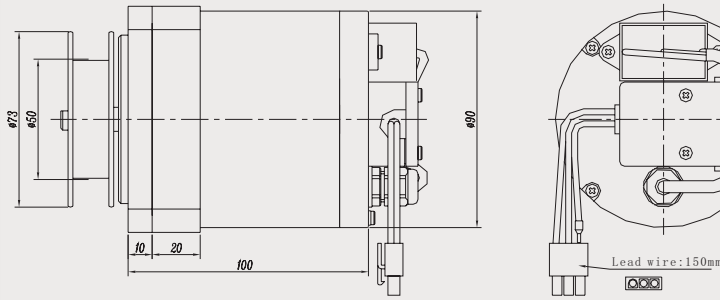
P/N: CMG400

Low Speed PM Synchronous Motor

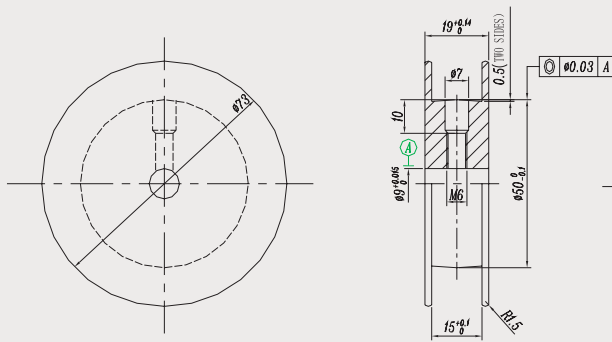
Model	Voltage V	Phase	Frequency Hz	Speed RPM	Input current A	Input power W	Max. torque MN. m	Rated torque MN. m	Starting torque MN. m	Inertia load G. cm ²	Moment of inertia G. cm ²	Capacitor μF/V	Resistor Ω / W	Weight Kg
905TDY115A4-2T05	230	1	50	115.38	0.20	40	1500	1250	750	9000	2400	2.6/500		3.2
905TDY214S4-2T04	230	3	50	214.29	0.36	80	2100	1750	1000	9000	2400			3.2

905TDY115A4-2T05

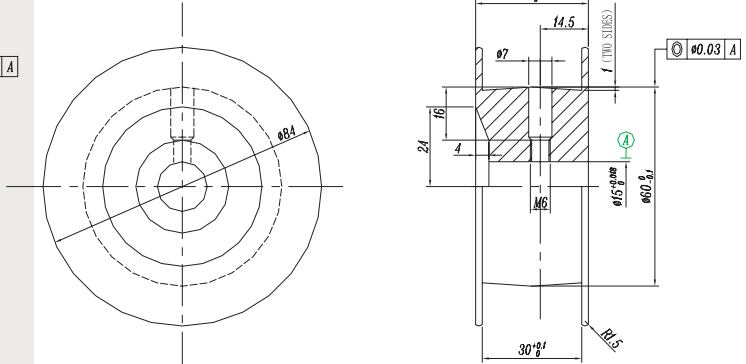
905TDY214S4-2T04



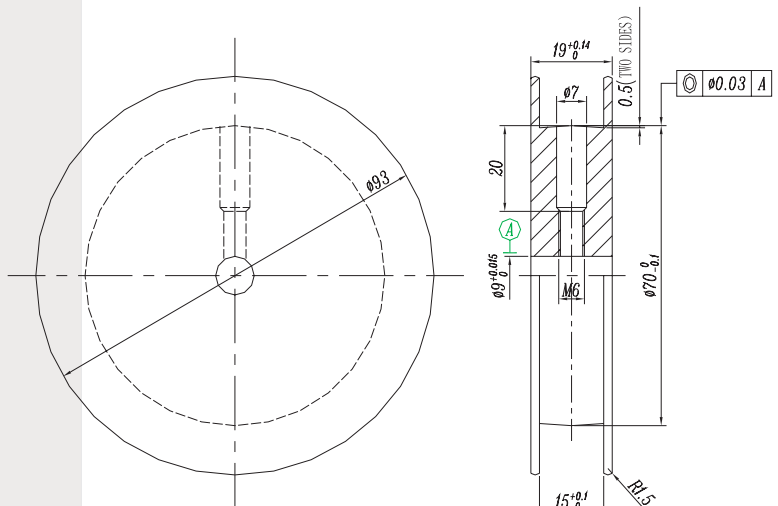
Belt Pulley



CMG800



Ck3000



CMG1500



REBECK ENTERPRISE CO., LTD.

No.1, North GuanDu Road,
Wangshan Industrial Park, Wuzhong Dist,
Suzhou, P.R.China

Tel:0086-025-86893594

Fax:0086-025-86893593

Http://www.rebeck-motor.com

E-mail:sales@rebeck-motor.com