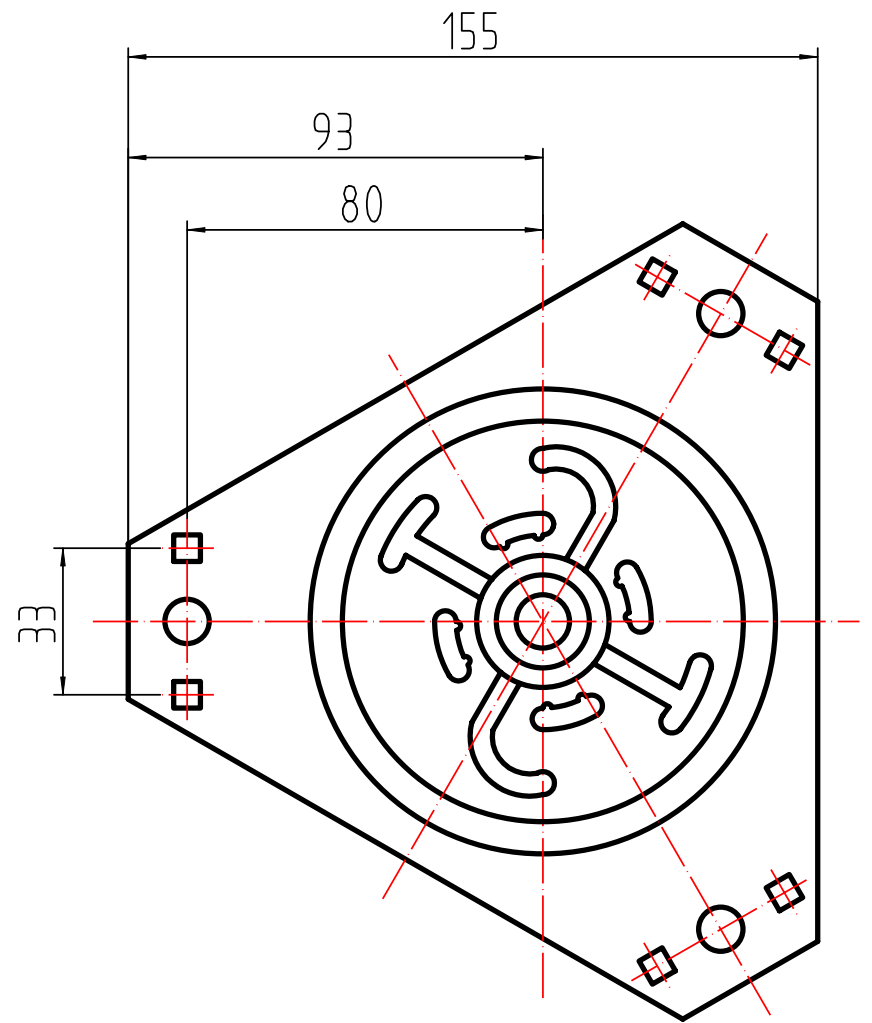
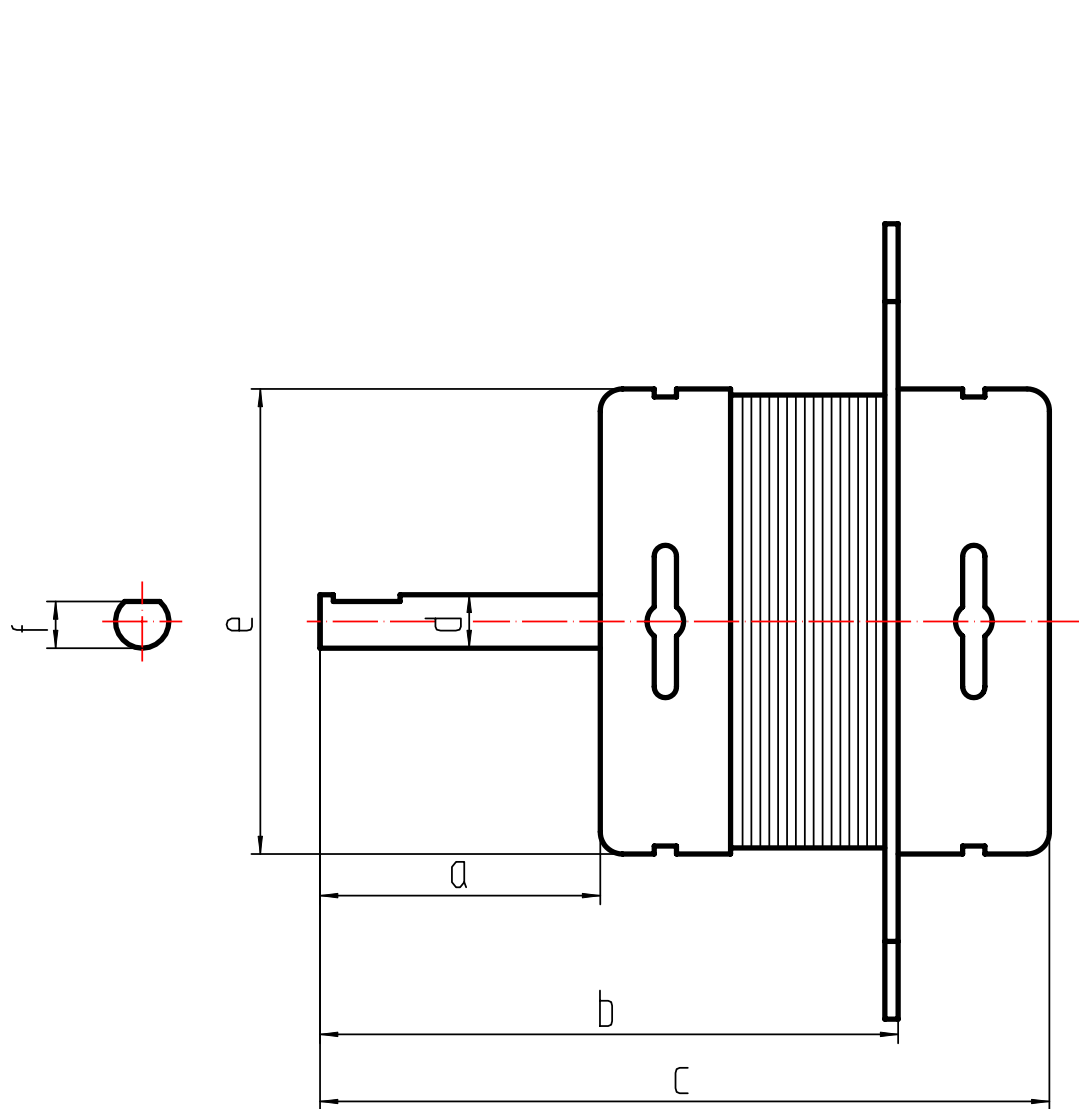
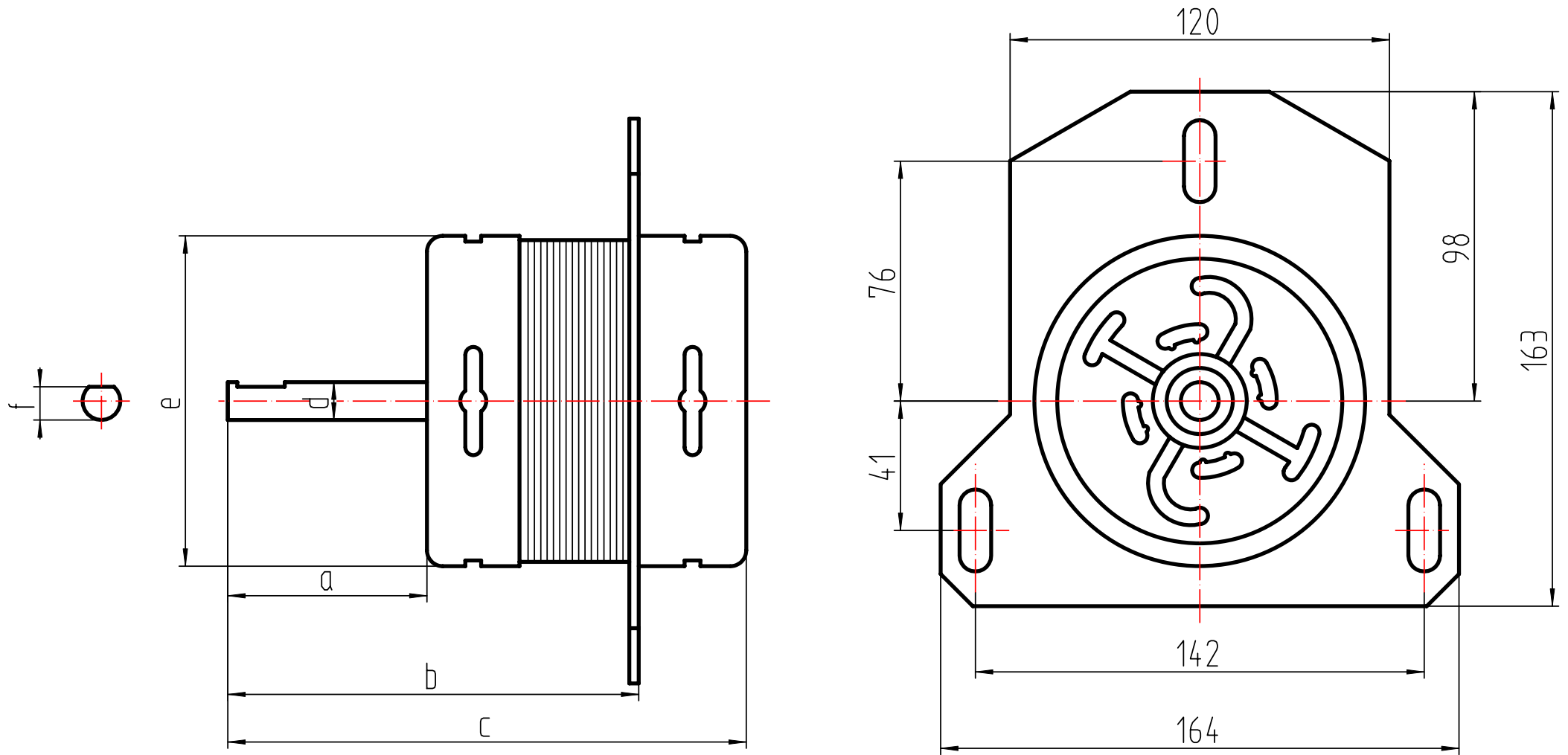


Form A



Form B



Form C